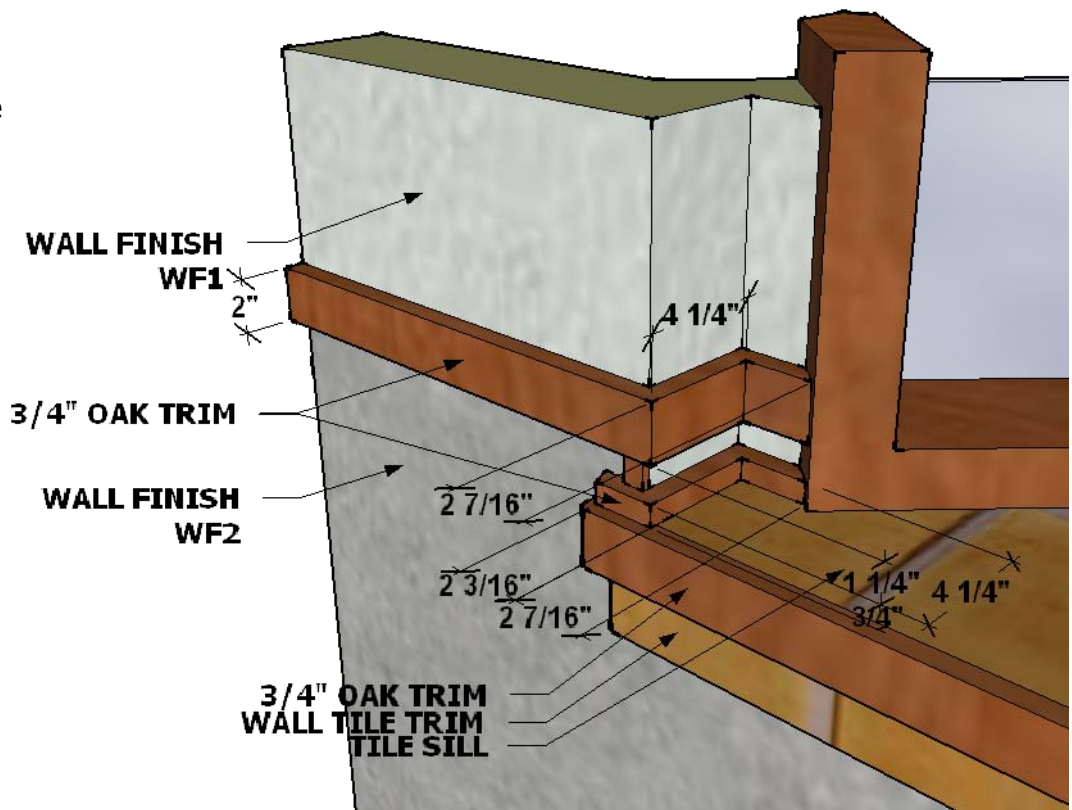
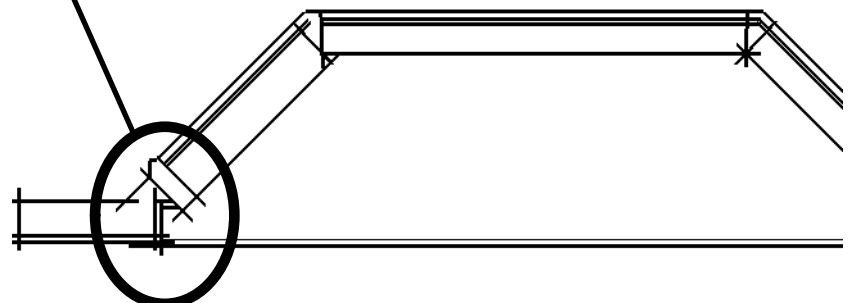


Requested Information/Clarification:

1. Verify that small piece of oak trim below chair rail is correct.
2. Verify that single course of tile is correct below wood trim?



1 Window Sill Detail
SCALE: NTS



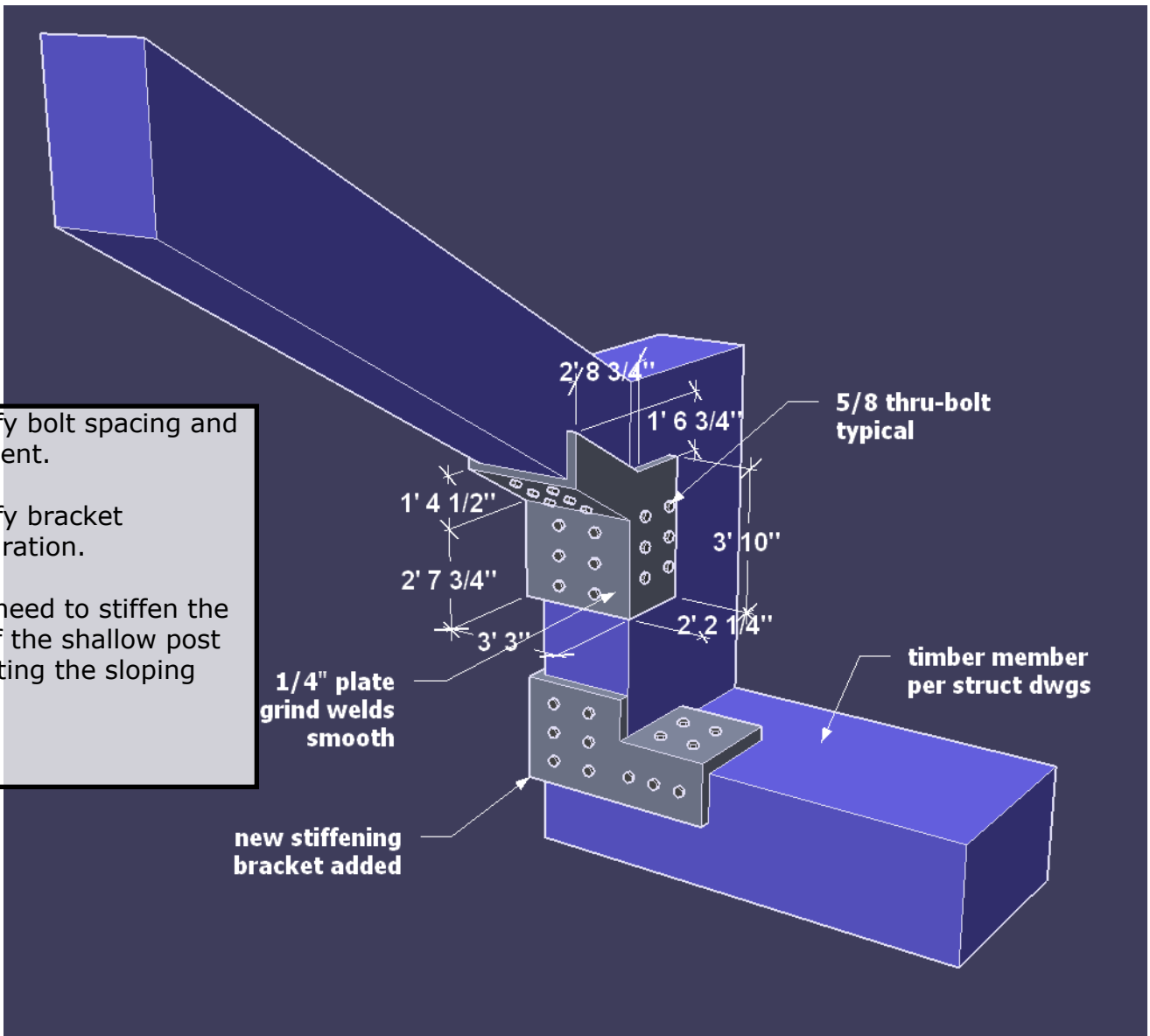
2 Window Sill Plan
SCALE: NTS

Response:

8.5x11	NO. 1800.2	drawn: Name	PROJECT: SOFTBALL DUGOUTS HOLY FAMILY H.S.	CONTRACTOR: Company
		ch'kd: name	PROJECT LOCATION: 5195 W. 160th AVE BROOMFIELD, CO 80023	RFI REQUESTER: Name
		CONSTR. REQUEST FOR INFORMATION		RFI DATE: Date
		RFI no. 4	DESCRIPTION OF THE QUESTION OR CLARIFICATION.	DESIGN FIRM: Company
				RFI RESPONDER: Name
				DATE RESPONDED: Date

Requested Information/Clarification:

1. Verify bolt spacing and placement.
2. Verify bracket configuration.
3. We need to stiffen the base of the shallow post supporting the sloping rafter.



1 Metal Bracket Detail
SCALE: NTS

Response:

8.5x11	proj no.	drawn: Name	PROJECT: SOFTBALL DUGOUTS HOLY FAMILY H.S.	CONTRACTOR: Company
	1800.2	ch'kd: name	PROJECT LOCATION: 5195 W. 160th AVE BROOMFIELD, CO 80023	RFI REQUESTER: Name
RFI no.		DESCRIPTION OF THE QUESTION OR CLARIFICATION.		RFI DATE: Date
4	DESIGN FIRM: Company			
REV				RFI RESPONDER: Name
				DATE RESPONDED: Date